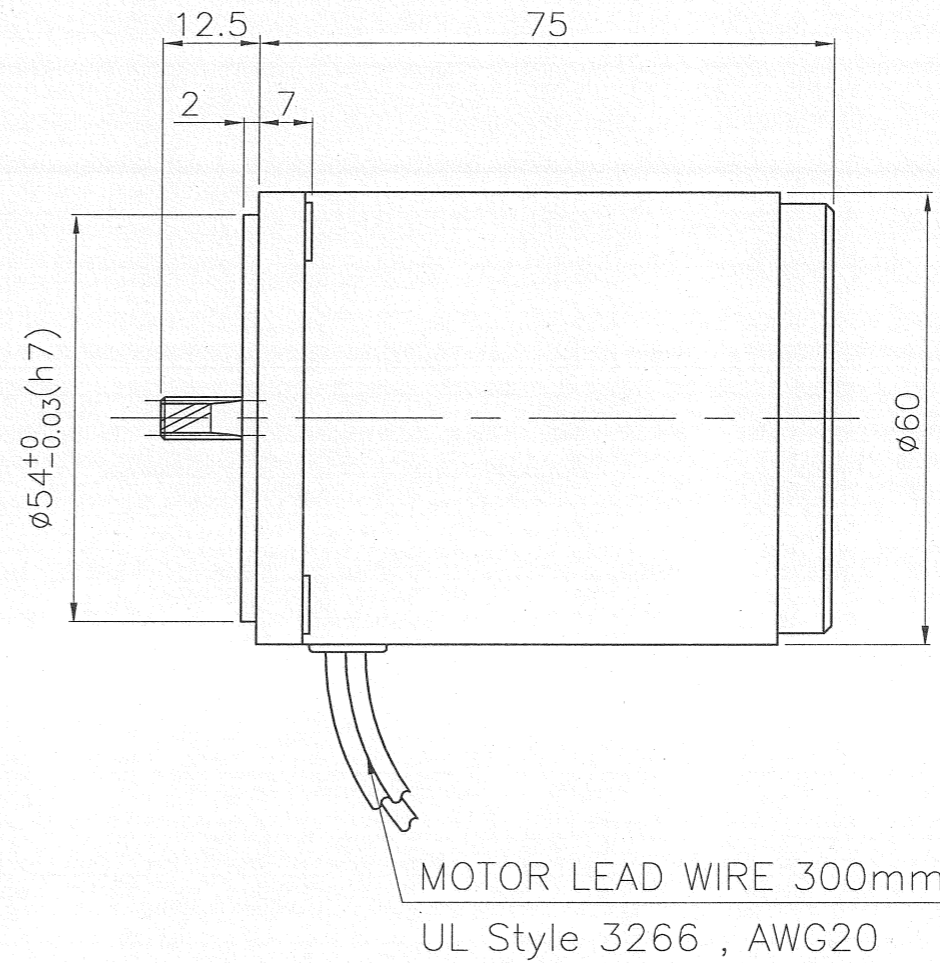
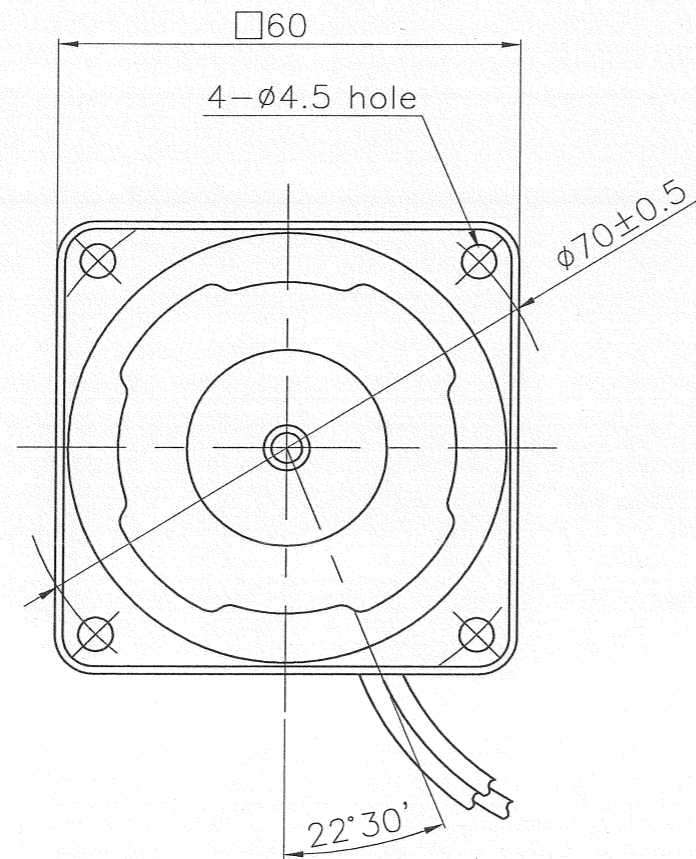
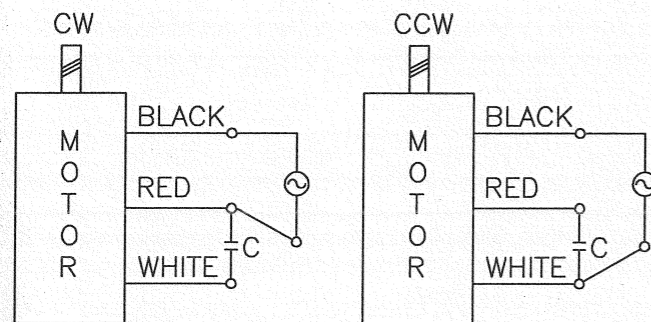


No.	REMARK	REVISION No.	SIGN



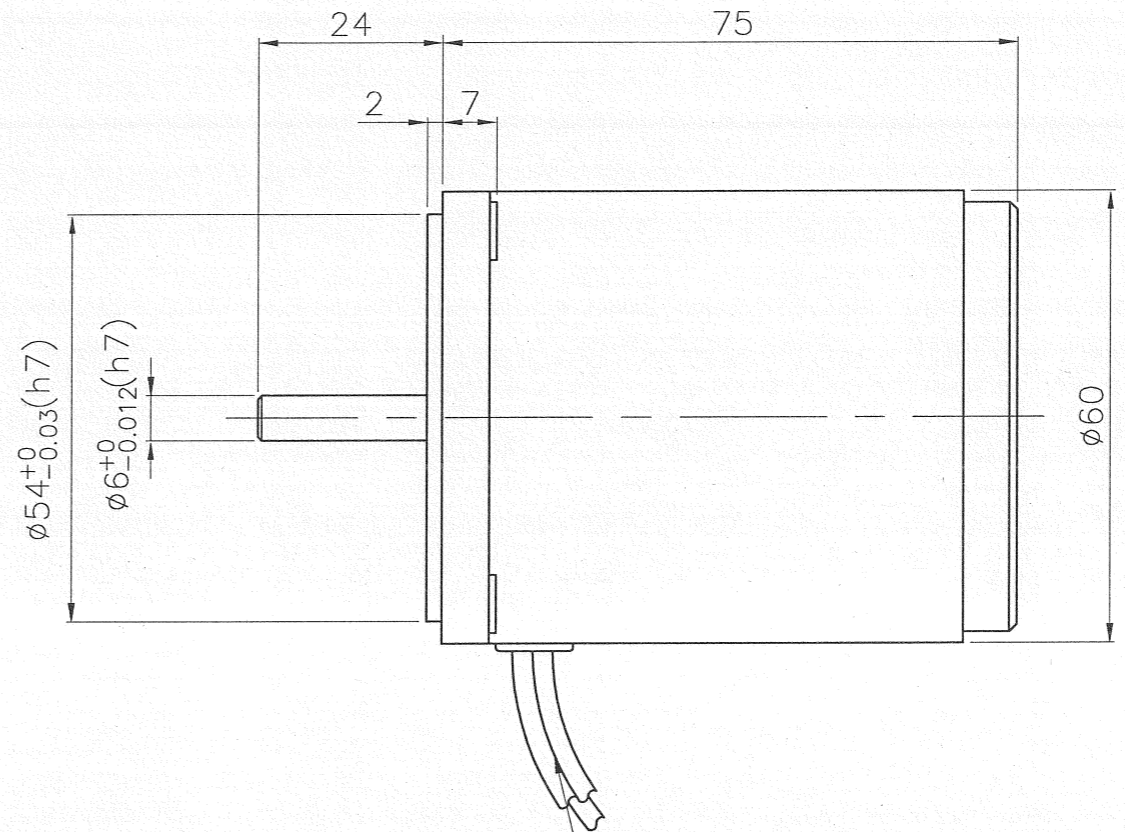
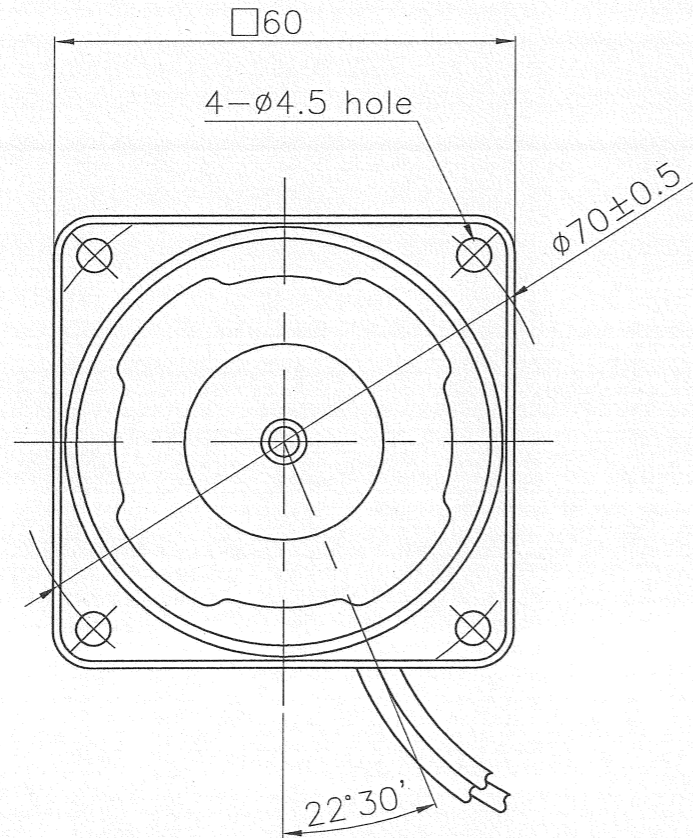
■ CONNECTION DIAGRAMS



- * CW=Clock Wise, CCW=Counter Clock Wise
- * The Direction of motor rotation is as viewed from the front shaft end of the motor.
- * C = Capacitor = Condenser

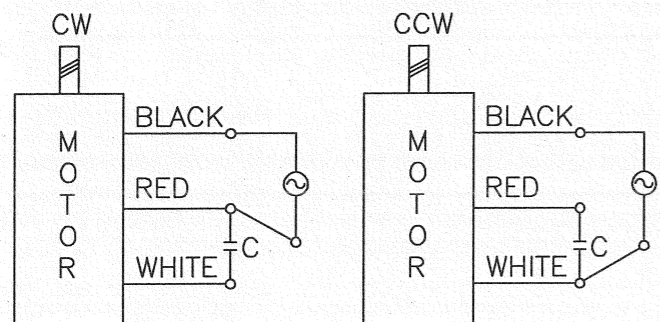
DRAW	12. 11. 7	SCALE : 1/1	PART NAME	OUTLINE
DESIGNED		UNIT : mm		
CHECKED			APPLICATION MODEL	K6□G6N□
APPROVED			DWG NO.	2-0L-00003
 GLOBAL GEARED MOTOR		RELATION DWG.		

No.	REMARK	REVISION No.	SIGN



MOTOR LEAD WIRE 300mm
UL Style 3266 , AWG20

■ CONNECTION DIAGRAMS



- * CW=Clock Wise, CCW=Counter Clock Wise
- * The Direction of motor rotation is as viewed from the front shaft end of the motor.
- * C = Capacitor = Condenser

DRAW	12. 11. 7	SCALE : 1/1	PART NAME	OUTLINE
DESIGNED		UNIT : mm	APPLICATION MODEL	K6□S6N□
CHECKED			DWG NO.	2-0L-00004
APPROVED			RELATION DWG.	
GGM GLOBAL GEARED MOTOR				